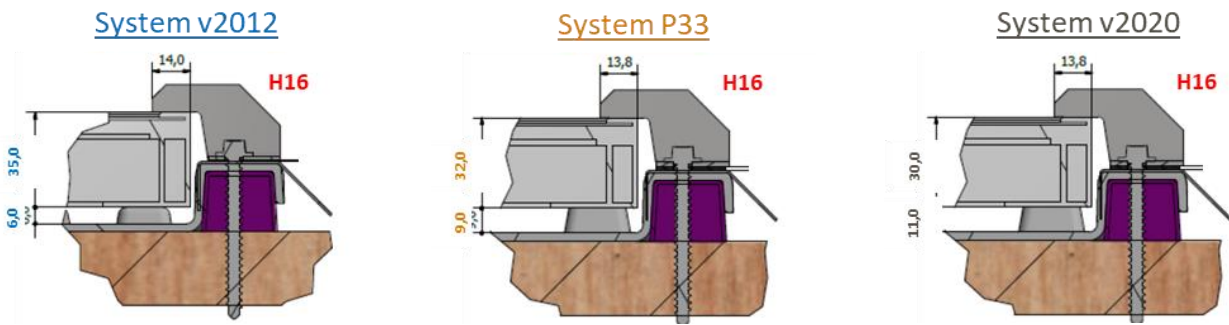


GSE In-Roof – Evolution of the system



Réf.		Module tolerances				Clamps																							
		Height		Width		Module thickness (mm)																							
		MIN.	MAX.	MIN.	MAX.	30	31	32	33	34	35	36	37	38	39	40	41	42	43	44	45	46	47	48	49	50			
PORTRAIT	Version 2012	1580_808	1540	1620	798	808									H16	H19	H21	H23	H26	H27							H31		
		1575_1046	1535	1615	1037	1046									H16	H19	H21	H23	H26	H27							H31		
		1575_1053	1535	1615	1044	1053									H16	H19	H21	H23	H26	H27							H31		
		1575_1082	1535	1615	1073	1082									H16	H19	H21	H23	H26	H27							H31		
		1640_992	1600	1680	983	992									H16	H19	H21	H23	H26	H27							H31		
		1640_1001	1600	1680	992	1001									H16	H19	H21	H23	H26	H27							H31		
		1640_1001_33	1600	1680	992	1001					H16	H19	H21	H23	H26	H27											H31		
		1686-1700_1016	1646	1726	1007	1016						H16	H19	H21	H23	H26	H27											H31	
PORTRAIT	Version 2020	1710_1000	1670	1750	995	1000					H16	H19	H21	H23	H26	H27													
		1710_1005	1670	1750	1000	1005					H16	H19	H21	H23	H26	H27													
		1710_1020	1670	1750	1015	1020					H16	H19	H21	H23	H26	H27													
		1710_1025	1670	1750	1020	1025					H16	H19	H21	H23	H26	H27													
		1710_1030	1670	1750	1025	1030					H16	H19	H21	H23	H26	H27													
		1710_1050	1670	1750	1045	1050					H16	H19	H21	H23	H26	H27													
		1710_1060	1670	1750	1055	1060					H16	H19	H21	H23	H26	H27													
LANDSCAPE	Version 2012	1559_1082	1042	1122	1550	1559									H16	H19	H21	H23	H26	H27									
		1575_1082	1042	1122	1566	1575									H16	H19	H21	H23	H26	H27									
		1580_808	768	848	1571	1580									H16	H19	H21	H23	H26	H27									
		1640_992	952	1032	1631	1640									H16	H19	H21	H23	H26	H27									
		1650_992	952	1032	1641	1650									H16	H19	H21	H23	H26	H27									
		1660_992	952	1032	1651	1660									H16	H19	H21	H23	H26	H27									
		1670_992	952	1032	1661	1670									H16	H19	H21	H23	H26	H27									
		1675_992_33	952	1032	1666	1675						H16	H19	H21	H23	H26	H27												
		1680_992	952	1032	1671	1680										H16	H19	H21	H23	H26	H27								
		1686_1016	952	1032	1677	1686										H16	H19	H21	H23	H26	H27								
		1700_1016	952	1032	1691	1700										H16	H19	H21	H23	H26	H27								
		LANDSCAPE	Version 2020	1665_1020	980	1060	1660	1665					H16	H19	H21	H23	H26	H27											
				1675_1020	980	1060	1670	1675					H16	H19	H21	H23	H26	H27											
1680_1020	980			1060	1675	1680					H16	H19	H21	H23	H26	H27													
1685_1020	980			1060	1680	1685					H16	H19	H21	H23	H26	H27													
1690_1020	980			1060	1685	1690					H16	H19	H21	H23	H26	H27													
1700_1020	980			1060	1695	1700					H16	H19	H21	H23	H26	H27													
1740_1020	980			1060	1735	1740					H16	H19	H21	H23	H26	H27													