



# Building Solar, Better.

## KEY FEATURES

### Maximum efficiency for commercial projects

- Ideal for large-scale commercial projects
- Suitable for larger, new-generation solar panels
- Large panel fields (40x40m)
- Pitch distance of 2300 mm (DR1) / 2460 mm (DR2) for Dual
- Pitch distance of 1520 mm (SR2) for Single

### In accordance with the latest insurance requirements

- Best possible panel support: 2 base units per panel
- All components tested to international standards
- 20-year product warranty
- Project calculations Peutz-certified
- Use of premium materials

### Unique, patented clamping system

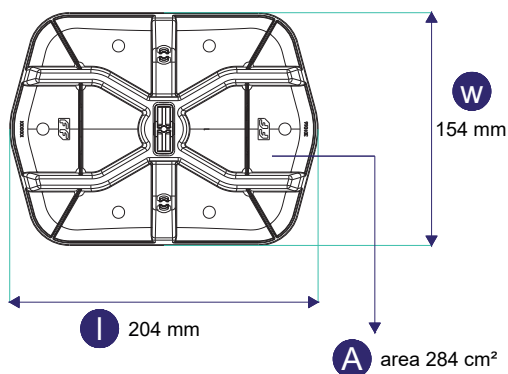
- Long side panel clamping
- Screwless clamping, super fast, simple installation
- Simple installation of pre-assembled units
- Super fast, easy installation
- Integrated cable management



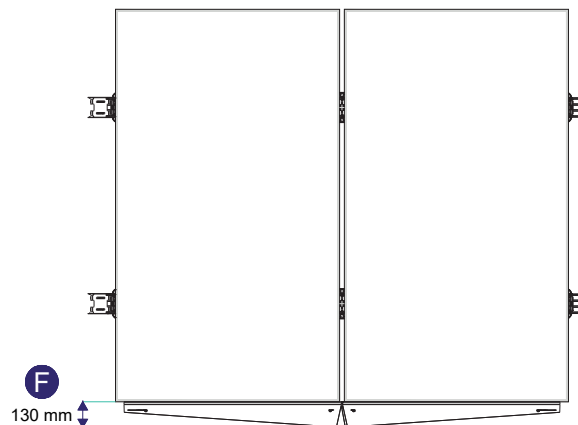
## DUAL

### System dimensions overview (mm)

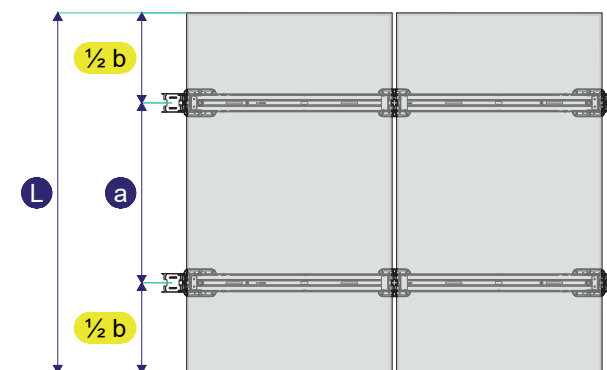
#### BASE PLATE



#### WINDEFLECTOR

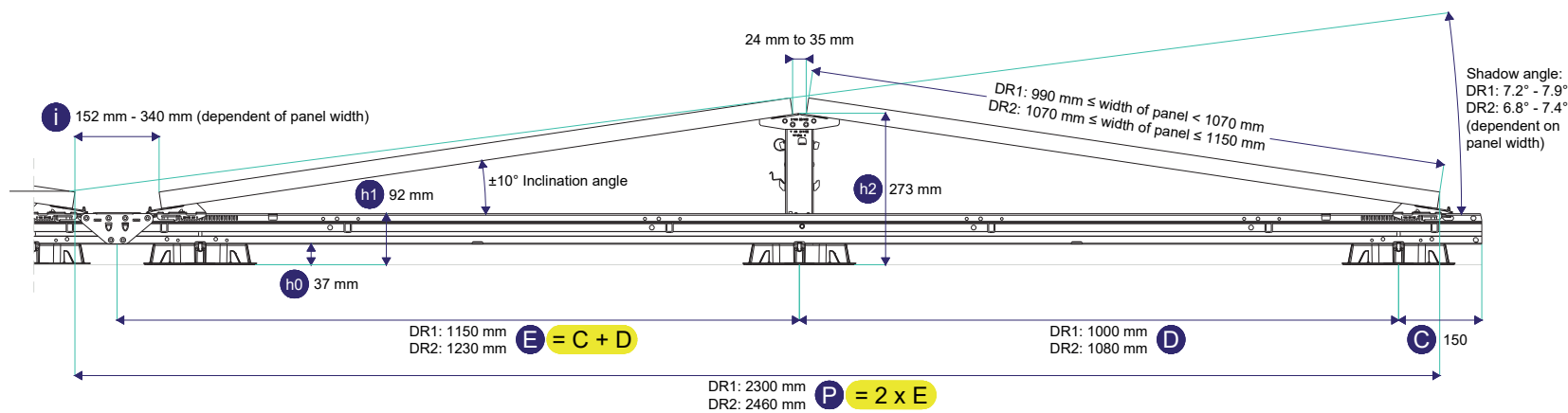


#### FIELD

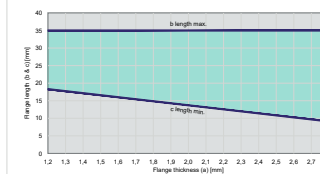
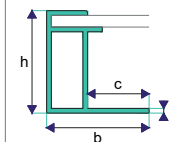


L = panel length  
a = units on preferred (or allowed) distance  
(check panel manufacturer installation manual)  
b = L - a

### Side view



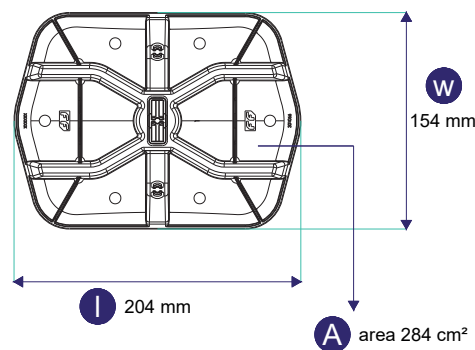
a [mm]	c [mm]	b [mm]
1.2	16.3	
1.3	17.7	
1.4	17.2	
1.5	16.6	
1.6	16.0	
1.7	15.4	
1.8	14.9	
1.9	14.3	
2.0	13.7	
2.1	13.1	
2.2	12.6	
2.3	12.0	
2.4	11.4	
2.5	10.8	
2.6	10.3	
2.7	9.7	
2.8	9.1	



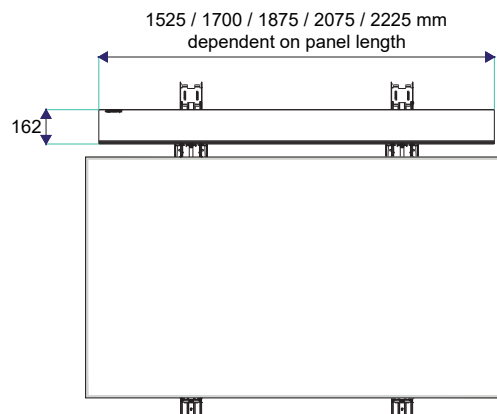
## SINGLE

### System dimensions overview (mm)

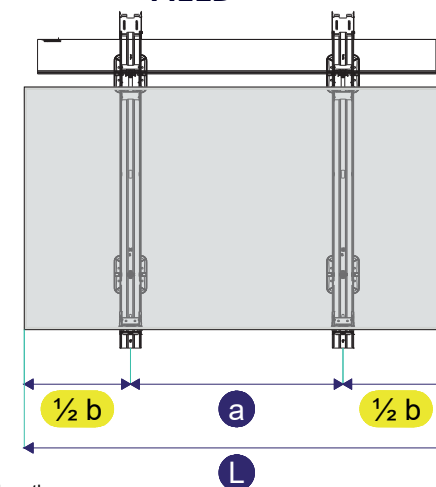
#### BASE PLATE



#### WINDEFLECTOR

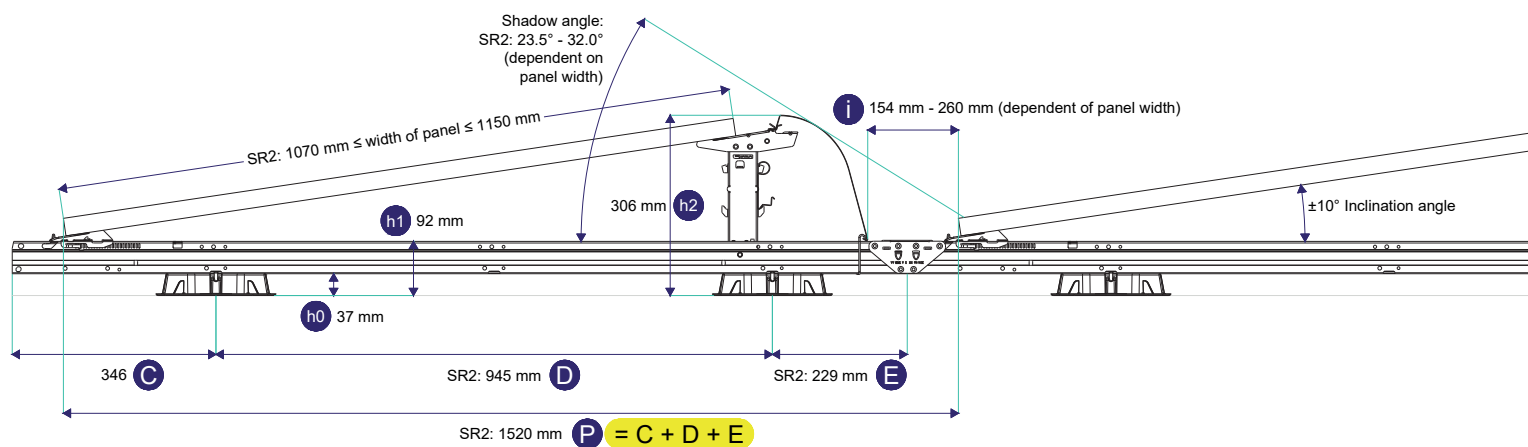


#### FIELD

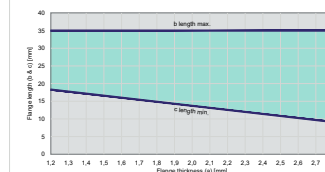
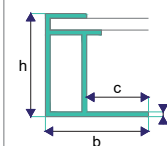


- L = panel length
- a = units on preferred (or allowed) distance  
(check panel manufacturer installation manual)
- b = L - a

### Side view



a [mm]	c [mm]	b [mm]
1,2	18,3	
1,3	17,7	
1,4	17,2	
1,5	16,6	
1,6	16,0	
1,7	15,4	
1,8	14,9	
1,9	14,3	
2,0	13,7	
2,1	13,1	
2,2	12,6	
2,3	12,0	
2,4	11,4	
2,5	10,8	
2,6	10,3	
2,7	9,7	
2,8	9,1	



## DUAL UNIT

### Wave Dual Unit 2P

**ITEM.NO.** 1009147  
Max. panel width:  
990 - 1070mm



Material : Steel Magnelis coated  
Weight (kg) : 4.45

### Wave Dual Unit 2P

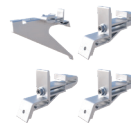
**ITEM.NO.** 1009157  
Max. panel width:  
1070 - 1150mm



Material : Steel Magnelis coated  
Weight (kg) : 4.59

### Wave Wind Deflector Clamps

**ITEM.NO.** 1009153



Material : Steel / Aluminium  
Weight (kg) : 0.453

### Wave Wind Deflector Set

**ITEM.NO.** 1009148  
Max. panel width:  
990 - 1070mm  
Weight (kg): 1.20

**ITEM.NO.** 1009158  
Max. panel width:  
1070 - 1150mm  
Weight (kg): 1.50

Material : Steel Magnelis coated



## SINGLE UNIT

### Wave Single Unit 3P

**ITEM.NO.** 1009160  
Max. panel width:  
1070 - 1150mm



Material : Steel Magnelis coated  
Weight (kg) : 9.66

### Wave Single Unit 1P

**ITEM.NO.** 1009161  
Max. panel width:  
1070 - 1150mm



Material : Steel Magnelis coated  
Weight (kg) : 3.35

### Wave Single Rear Deflector Clip

**ITEM.NO.** 1009170



Material : Steel  
Weight (kg) : 0.120

### Wave Single Rear Deflector

**ITEM NO.** 1009171  
1525mm  
Weight (kg): 2,9

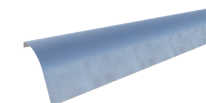
**ITEM NO.** 1009173  
1875mm  
Weight (kg): 3,5

**ITEM NO.** 1009175  
2225mm  
Weight (kg): 4,2

**ITEM NO.** 1009172  
1700mm  
Weight (kg): 3,2

**ITEM NO.** 1009174  
2075mm  
Weight (kg): 3,9

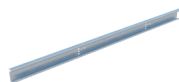
Material : Steel Magnelis coated



## STABILIZERS

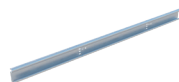
### Wave Stabilizer

**ITEM.NO.** 1009110  
2900mm



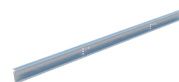
Material : Steel Magnelis coated  
Weight (kg) : 3.57

**ITEM.NO.** 1009111  
3530mm



Material : Steel Magnelis coated  
Weight (kg) : 4.35

**ITEM.NO.** 1009114  
4000mm

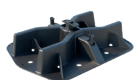


Material : Steel Magnelis coated  
Weight (kg) : 4.93

## SYSTEM COMPONENTS

### Wave Base plate (extra)

ITEM.NO. 1009120



Material : PP  
Weight (kg) : 0.114

### Wave Cable Bracket Stabilizer

ITEM.NO. 1009124



Material : Steel  
Weight (kg) : 0.027

### Wave Support Mat

ITEM.NO. 1009131

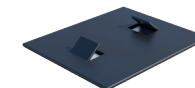
Weight (kg): 0.364

Material:  
Rubber granulate

ITEM.NO. 1009132

Weight (kg): 0.372

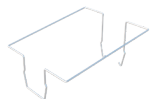
Material:  
Rubber granulate +  
aluminium laminated  
bottom-side



## BALLAST OPTIONS

### Wave Ballast Bracket

ITEM.NO. 1009123



Material : Steel  
Weight (kg) : 0.13

### Wave Ballast Bracket Perimeter

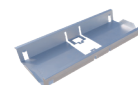
ITEM.NO. 1009126



Material : Steel  
Weight (kg) : 0.030

### Wave Ballast Tray

ITEM.NO. 1009129



Material : Steel  
Weight (kg) : 1.340

### Wave Ballast Tray Extender

ITEM.NO. 1009130



Material : Steel  
Weight (kg) : 0.430

## ACCESSORIES

### Wave Module unlock tool

ITEM.NO. 1009142



Material : Steel / Plastic  
Weight (kg) : 0.056

### Wave Measuring bar 2500mm Perimeter

ITEM.NO. 1009143



Material : Aluminium  
Weight (kg) : 0.472

### Wave Spacer Tool

ITEM.NO. 1009144



Material : Aluminium / Plastic  
Weight (kg) : 0.218

## LIGHTNING PROTECTION COMPONENTS

(Always collaborate with lightning protection experts to develop a tailored protection plan)

### Wave Lightning Connector

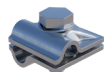
ITEM.NO. 1009133



Material : Steel  
Weight (kg) : 0.061

### Wave Lightning Connector cross

ITEM.NO. 1009134



Material : Steel  
Weight (kg) : 0.099

### Wave Lightning Alu wire long (21m)

ITEM.NO. 1009135



Material : Aluminium  
Weight (kg) : 2.835

### Wave Lightning Alu wire short (25cm)

ITEM.NO. 1009136



Material : Aluminium  
Weight (kg) : 0.034

# PROJECT SUPPORT

## Technical advice

- Project design and ballast calculation
- Installation training on site

## Extensive technical project documentation

- Ballast plan
- Electrotechnical safety (grounding and bonding)
- Roof load (snow and point load)

## Logistical support

- Project-based delivery
- Express delivery

