

# Triple Power Lithium-ion Battery User Manual

50Ah



## Solax Power Network Technology(Zhe jiang) Co., Ltd.

No.288 Shizhu Road, Tonglu Economic Development Zone,  
Tonglu City, Zhejiang province, China.

Tel: +86 0571-56260011

E-mail: info@solaxpower.com

614.00425.01

### Copyright Declaration

The copyright of this manual belongs to Solax Power Network Technology(Zhe jiang) Co., Ltd. (SolaX Power Co.,Ltd.). Any corporation or individual should not plagiarize, partially or fully copy (including software,etc.), and no reproduction or distribution of it in any form or by any means. All rights reserved. SolaX Power Network Technology (Zhe jiang) Co.,Ltd. (SolaX Power Co.,Ltd.) reserves the right of final interpretation.

[www.solaxpower.com](http://www.solaxpower.com)

# CONTENTS

<b>1</b>	<b>NOTE ON THIS MANUAL.....</b>	<b>1</b>
1.1	SCOPE OF VALIDITY.....	1
1.2	TARGET GROUP.....	1
1.3	SYMBOLS USED.....	1
<b>2</b>	<b>SAFETY.....</b>	<b>2</b>
2.1	SAFETY INSTRUCTIONS.....	2
2.1.1	GENERAL SAFETY PRECAUTIONS.....	2
2.1.2	EXPLANATION OF SYMBOLS.....	3
2.2	RESPONSE TO EMERGENCY SITUATIONS.....	5
2.2.1	LEAKING BATTERIES.....	5
2.2.2	FIRE.....	5
2.2.3	WET BATTERIES AND DAMAGED BATTERIES.....	5
2.3	QUALIFIED INSTALLER.....	6
<b>3</b>	<b>PRODUCT INTRODUCTION.....</b>	<b>7</b>
3.1	PRODUCT OVERVIEW.....	7
3.1.1	DIMENSION AND WEIGHT.....	7
3.1.2	APPEARANCE.....	8
3.2	BASIC FEATURES.....	10
3.2.1	FEATURES.....	10
3.2.2	CERTIFICATIONS.....	10
3.3	SPECIFICATIONS.....	11
3.3.1	T-BAT SYS-HV CONFIGURATION LIST.....	11
3.3.2	PERFORMANCE.....	11
<b>4</b>	<b>INSTALLATION.....</b>	<b>12</b>
4.1	INSTALLATION PREREQUISITES.....	12
4.2	SAFETY GEAR.....	12
4.3	TOOLS.....	13
4.4	INSTALLATION.....	13
4.4.1	CHECK FOR TRANSPORT DAMAGE.....	13
4.4.2	UNPACKING.....	13
4.4.3	ACCESSORIES.....	14
4.4.4	BATTERY INSTALLATION STEPS.....	16

4.5	CABLE CONNECTION.....	18
4.5.1	CONNECTING POWER CABLES.....	18
4.5.2	CONNECTING POWER LINES.....	20
4.5.3	CONNECTING CAN COMMUNICATION CABLE.....	24
4.5.4	CONNECTING RS485 COMMUNICATION CABLE.....	25
4.5.5	CONNECTING GROUND WIRE.....	26
4.5.6	OVERALL INSTALLATION.....	27
4.6	OVERVIEW OF INSTALLATION.....	29
<b>5</b>	<b>COMMISSIONING.....</b>	<b>30</b>
5.1	CONFIGURING BATTERY SYSTEM.....	30
5.2	COMMISSIONING.....	31
5.3	STATUS INDICATORS.....	33
5.3.1	BMS.....	33
5.3.2	BATTERY PACK.....	34
5.3	SHUTTING DOWN T-BAT SYSTEM.....	34
<b>6</b>	<b>TROUBLESHOOTING.....</b>	<b>35</b>
6.1	TROUBLE SHOOTING.....	35
<b>7</b>	<b>DECOMMISSIONING.....</b>	<b>38</b>
7.1	DISMANTLING THE BATTERY.....	38
7.2	PACKAGING.....	38

## 1 Note on this Manual

### 1.1 Scope of Validity

This manual is an integral part of T-BAT Series. It describes the assembly, installation, commissioning, maintenance and failure of the product. Please read it carefully before operating.

#### T-BAT SYS-HV

---

T-BAT H 5.8

---

#### T-BAT PACK-HV

---

HV11550

---

NOTE: There are 4 models for T-BAT system, which includes BMS and battery pack(s). Please refer to section 3.3.1 **T-BAT SYS-HV Configuration List** on page 11 for detailed models.

### 1.2 Target Group

This manual is for qualified electricians. The tasks described in this manual may only be performed by qualified electricians.

### 1.3 Symbols Used

The following types of safety instructions and general information appear in this document described as below:



**DANGER!**

"DANGER" indicates a hazardous situation which, if not avoided, will result in death or serious injury.



**WARNING!**

"WARNING" indicates a hazardous situation which, if not avoided, could result in death or serious injury.



**CAUTION!**

"CAUTION" indicates a hazardous situation which, if not avoided, could result in minor or moderate injury.



**NOTE!**

"NOTE" provides tips that are valuable for the optimal operation of your product.

## 2 Safety

### 2.1 Safety Instructions

For safety reasons, installers are responsible for familiarizing themselves with the contents of this manual and all warnings before performing installation.

#### 2.1.1 General Safety Precautions

##### **! WARNING!**

Please don't crush or impact the battery, and always dispose it according to the safety regulation.

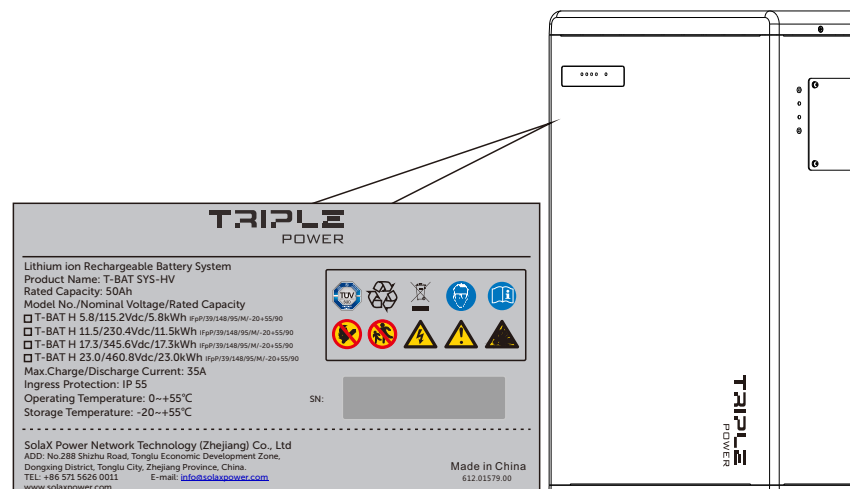
Observe the following precautions:

- Risks of explosion
  - Do not subject the battery pack to strong impacts.
  - Do not crush or puncture the battery pack.
  - Do not dispose of the battery pack in a fire.
- Risks of fire
  - Do not expose the battery pack to temperatures in excess of 55°C.
  - Do not place the battery pack near a heat source, such as a fireplace.
  - Do not expose the battery pack to direct sunlight.
  - Do not allow the battery connectors to touch conductive objects such as wires.
- Risks of electric shock
  - Do not disassemble the battery pack.
  - Do not touch the battery pack with wet hands.
  - Do not expose the battery pack to moisture or liquids.
  - Keep the battery pack away from children and animals.
- Risks of damage to the battery pack
  - Do not allow the battery pack to get in contact with liquids.
  - Do not subject the battery pack to high pressures.
  - Do not place any objects on top of the battery pack.

T-BAT SYS-HV can be used only in the household energy field. It is not allowed to be used in other industries, such as the medical equipment and automotive application.











#### 2.1.2 Explanation of Symbols

This section gives an explanation of all the symbols shown on the T-BAT system and on the warning label.



##### **! CAUTION!**

If the battery is not installed within one month after receiving the battery, the battery must be charged till the SOC is more than 50% for maintenance.

Symbol	Explanation
	TUV mark for IEC62619
	The battery system should be disposed of at a proper facility for environmentally safe recycling.
	The battery system should not be disposed together with the household waste. Disposal information can be found in the enclosed documentation.
	Wear protective glasses
	Observe enclosed documentation.
	Keep the battery system away from open flames or ignition sources.
	Keep the battery system away from children.
	Danger of high voltages. Danger to life due to high voltages in the battery system!
	Danger. Risk of electric shock!
	The battery pack may explode.

## 2.2 Response to Emergency Situations

### 2.2.1 Leaking Batteries

If the battery leaks electrolyte which is corrosive, avoid contact with the leaking liquid or gas. Direct contact may lead to skin irritation or chemical burns. If one is exposed to the leaked substance, do these actions:

**Accidental inhalation of harmful substances:** Evacuate people from the contaminated area, and seek medical attention immediately.

**Eye contact:** Rinse eyes with flowing water for 15 minutes, and seek medical attention immediately.

**Dermal contact:** Wash the affected area thoroughly with soap and water, and seek medical attention immediately.

**Ingestion:** Induce vomiting, and seek medical attention immediately.

### 2.2.2 Fire

In case of a fire, make sure an ABC or carbon dioxide extinguisher is nearby.



#### **WARNING!**

The battery pack may catch fire when heated above 150°C.

If a fire breaks out where the battery pack is installed, do these actions:

1. Extinguish the fire before the battery pack catches fire;
2. If the battery pack has caught fire, do not try to extinguish the fire. Evacuate people immediately.

#### **WARNING!**

If the battery pack catches fire, it will produce noxious and poisonous gases. Do not approach.

### 2.2.3 Wet Batteries and Damaged Batteries

If the battery pack is wet or submerged in water, do not try to access it.

If the battery pack seems to be damaged, they are not fit for use and may pose a danger to people or property.

Please pack the battery in its original container, and then return it to SolaX or your distributor.

#### **CAUTION!**

Damaged batteries may leak electrolyte or produce flammable gas. If you suspect such damage, immediately contact SolaX for advice and information.

## 2.3 Qualified Installer

### **⚠ WARNING!**

All operations of T-BAT SYS-HV relating to electrical connection and installation must be carried out by qualified personnel.

A skilled worker is defined as a trained and qualified electrician or installer who has all of the following skills and experience:

- Knowledge of the functional principles and operation of on-grid systems
- Knowledge of the dangers and risks associated with installing and using electrical devices and acceptable mitigation methods
- Knowledge of the installation of electrical devices
- Knowledge of and adherence to this manual and all safety precautions and best practices

## 3 Product Introduction

### 3.1 Product Overview

For safety reasons, installers are responsible for familiarizing themselves with the contents of this manual and all warnings before performing installation.

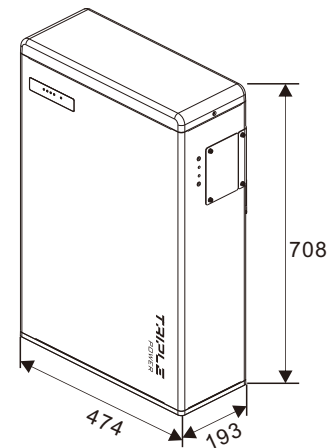
#### 3.1.1 Demension and Weight

A battery management system (BMS) is any electronic system that manages a rechargeable battery.

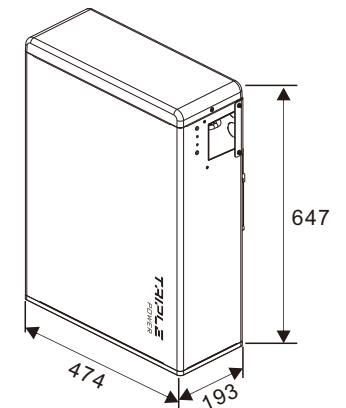
Battery pack is a type of electrical battery which can be charged, discharged into a load.

A battery system includes BMS and battery pack(s).

	T-BAT H 5.8	HV11550
Length	474mm	474mm
Width	193mm	193mm
Height	708mm	647mm
Weight	72.2kg	68.5kg



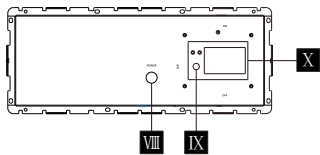
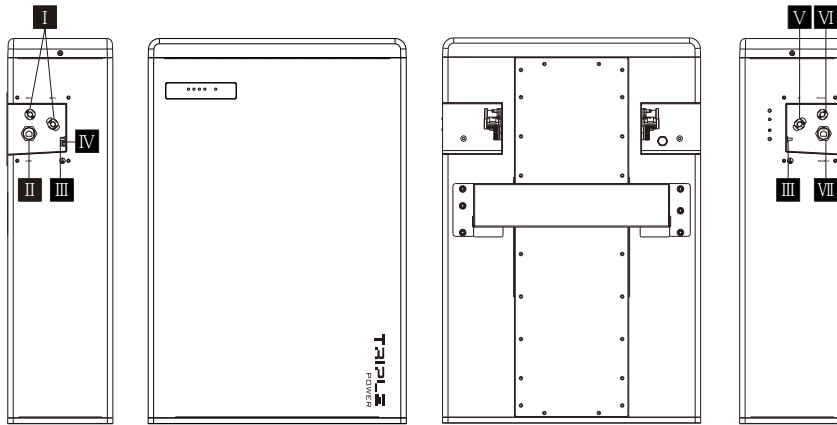
T-BAT H 5.8



HV11550  
(Battery Pack)

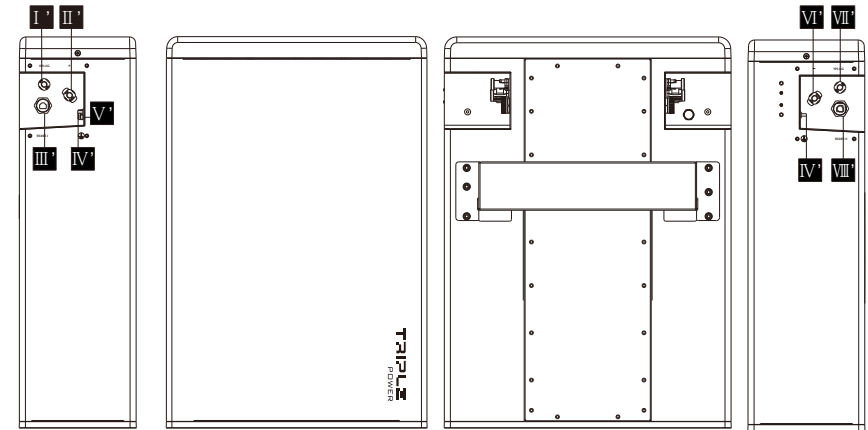
### 3.1.2 Appearance

- Section view of T-BAT H 5.8



Object	Mark	Description
I	BAT+/BAT-	Charge/Discharge Connectors
II	CAN	CAN Connector
III	GND	GND
IV	/	Air Valve
V	-	Power Connector to + of next battery pack, or to YPLUG of the same pack
VI	YPLUG	Power Connector' to XPLUG of next battery pack, or to "-" of the same pack
VII	RS485 II	RS485 Connector to RS485 I of next battery pack
VIII	POWER	Power Button
IX	DIP	DIP Switch
X	ON/OFF	Circuit Breaker

- Section view of HV11550



Object	Mark	Description
I'	XPLUG	Power Connector' to YPLUG of upper battery pack
II'	+	Power Connector to "+" of upper battery pack
III'	RS485 I	RS485 Connector to RS485 II of upper battery pack
IV'	GND	GND
V'	/	Air valve
VI'	-	Power Connector to + of next battery pack, or to YPLUG of the same pack
VII'	YPLUG	Power Connector' to XPLUG of next battery pack, or to "-" of the same pack
VIII'	RS485 II	RS485 Connector to RS485 I of next battery pack

## 3.2 Basic Features

### 3.2.1 Features

The T-BAT SYS-HV is one of the advanced energy storage systems on the market today, incorporating state-of-the-art technology, high reliability, and convenient control features shown as below:

- 90% DOD
- 99% Faradic charge efficiency
- 95% Battery roundtrip efficiency
- Cycle life > 6000 times
- Secondary Protection by hardware
- IP55 protection level
- Safety & Reliability
- Small footprint
- Floor or wall mounting

### 3.2.2 Certifications

T-BAT system safety	CE, FCC, RCM, TUV (IEC 62619)
Battery cell safety	UL 1642
UN number	UN 3480
Hazardous materials classification	Class 9
UN transportation testing requirements	UN 38.3
International protection marking	IP 55

## 3.3 Specifications

### 3.3.1 T-BAT SYS-HV Configuration List

No.	Model	Battery Pack	Energy(kWh)	Voltage (V)
1	T-BAT H 5.8	T-BAT H 5.8*1	5.8	100-131
2	T-BAT H 11.5	T-BAT H 5.8*1+HV11550*1	11.5	200-262
3	T-BAT H 17.3	T-BAT H 5.8*1+HV11550*2	17.3	300-393
4	T-BAT H 23.0	T-BAT H 5.8*1+HV11550*3	23.0	400-524

### 3.3.2 Performance

	T-BAT H 5.8	HV11550
Dimension(mm)	474*193*708	474*193*647
Weight(kg)	72.2	68.5
Nominal Voltage(Vdc)	115.2	115.2
Operating Voltage(Vdc):	100-131	100-131
Nominal Capacity(Ah):	50	50
Max. charge/discharge Current(A) :	35	35
Recommend Charge/Discharge Current (A):	25	25
Standard Power(kW)	2.5	2.5
Maximum Power(kW)	3.5	3.5
Altitude(m)	≤ 2000	
Faradic Charge Efficiency(25°C/77°F)	99%	
Battery Roundtrip Efficiency(C/3,25°C/77°F)	95%	
Expected Lifetime(25°C/77°F)	5 years	
Cycle life(90% DOD,25°C/77°F)	6000 cycles	
Available Operating Temperature	0--55°C	
Optimal Operating Temperature	15°C--35°C	
Storage Temperature	-20°C--55°C (3 months)	
	0°C--40°C (1 year)	
Ingress Protection	IP55	



## 4 Installation

### 4.1 Installation Prerequisites

Make sure that the installation location meets the following conditions:

- The building is designed to withstand earthquakes
- The location is far away from the sea, to avoid salt water and humidity
- The floor is flat and level
- There are no flammable or explosive materials nearby
- The ambience is shady and cool, keep away from heat and avoid direct sunlight.
- The temperature and humidity stays at a constant level.
- There is minimal dust and dirt in the area.
- There is no corrosive gases present, including ammonia and acid vapor.
- The ambient temperature is within the range from 0°C to 55°C, and the optimal ambient temperature is between 15°C and 35°C.

#### NOTE!

The Triple Power battery pack is rated at IP55 and thus can be installed outdoors as well as indoors. However, if installed outdoors, do not allow the battery pack to be exposed to direct sunlight and moisture.

#### NOTE!

If the ambient temperature is outside the operating range, the battery pack stops operating to protect itself. The optimal temperature range for the battery pack to operate is 15°C to 35°C. Frequent exposure to harsh temperatures may deteriorate the performance and lifetime of the battery pack.

### 4.2 Safety Gear

Installation and maintenance personnel must operate according to applicable federal, state and local regulations as well as the industry standards regarding the product installation personnel shall wear safety gears, etc. in order to avoid short circuit and personal injury.



Insulated gloves



Safety goggles



Safety shoes

### 4.3 Tools

These tools are required to install the T-BAT system.



Torque screw driver



Phillips-screw driver



Socket nut wrench



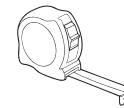
Phillips-head screw driver



Flat-head screw driver



Torque wrench



Tape measure



Drill



Pencil or Marker

### 4.4 Installation

#### 4.4.1 Check for Transport Damage

Make sure the battery is intact during transportation. If there are some visible damages, such as cracks, please contact your dealer immediately.

#### 4.4.2 Unpacking

Unpacking the battery package by cutting the packing tape and make sure the battery packs and the relevant items are complete. See package items on section 4.4.3, please check the packing list carefully, if there's any item missing, please contact SolaX or your distributor directly.

#### CAUTION!

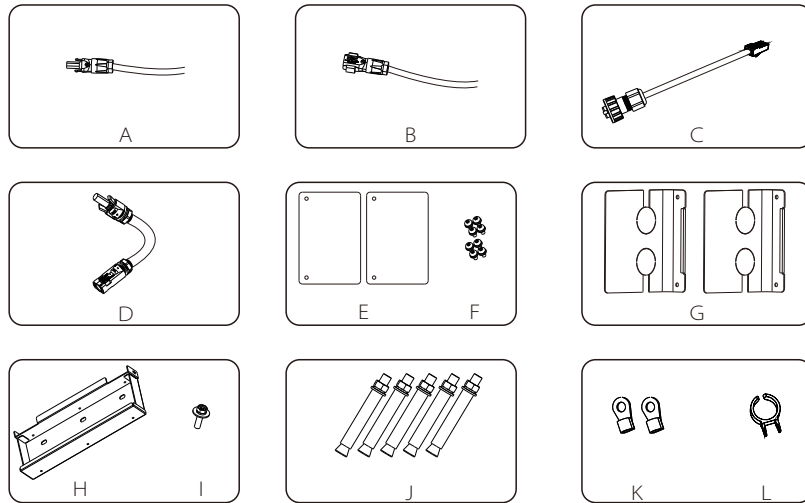
According to regional regulations, several people may be required for moving equipment.

#### WARNING!

Please strictly follow the installation steps. SolaX will not answer for any hurting or loss arising by incorrectly assembling and operation.

### 4.4.3 Accessories

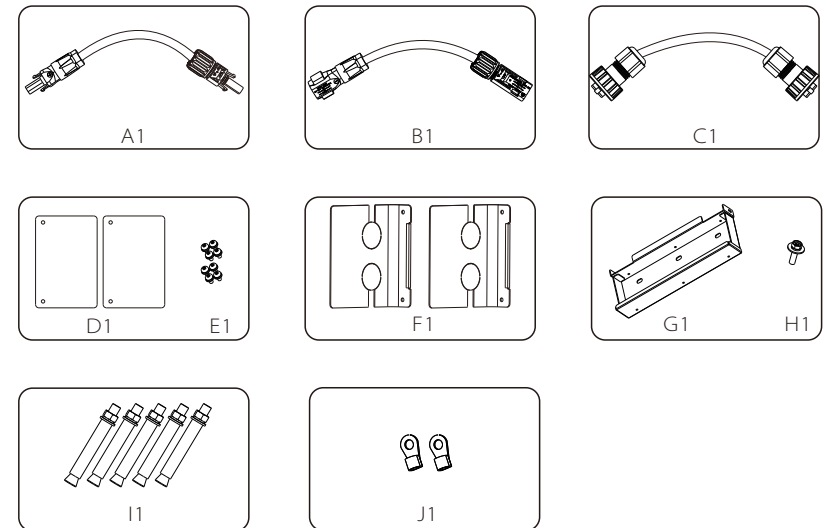
#### T-BAT H 5.8:



The table below lists the number of each component.

Object	Description	Quantity
A	Power line between Inverter and T-BAT H 5.8 (+) (2m)	1
B	Power line between Inverter and T-BAT H 5.8 (-) (2m)	1
C	CAN communication cable (2m)	1
D	Series-connected plug	1
E	Cover plate1	2
F	M4 screw	8
G	Cover plate2	2
H	Wall bracket	1
I	M5 screw	1
J	Expansion bolt	5
K	Ring terminal (for grounding)	2
L	Power cable disassembling tool	1

#### HV11550:



The table below lists the number of each component.

Object	Description	Quantity
A1	Power cable between battery packs (650mm)	1
B1	Power cable' between battery packs (650mm)	1
C1	RS485 communication cable (650mm)	1
D1	Cover plate1	2
E1	M4 screw	8
F1	Cover plate2	2
G1	Wall bracket	1
H1	M5 screw	1
I1	Expansion bolt	5
J1	Ring terminal (for grounding)	2

#### 4.4.4 Battery Installation Steps

It is recommended that the space between battery packs is more than 300mm.

##### Steps (for T-BAT H 5.8 or HV11550):

Make sure the wall is strong enough to withstand the weight of battery packs.

##### Step 1: fix the wall bracket (H or G1) on the wall

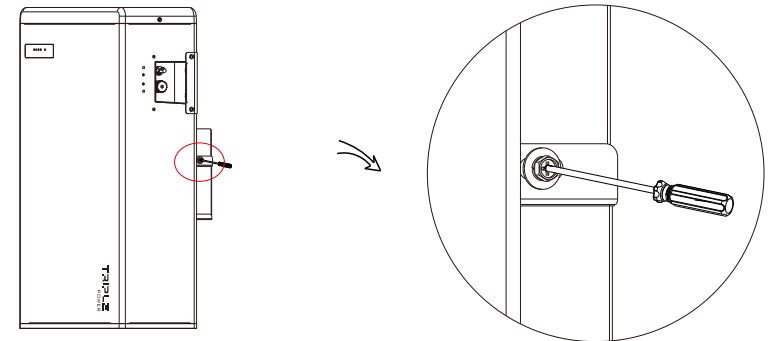
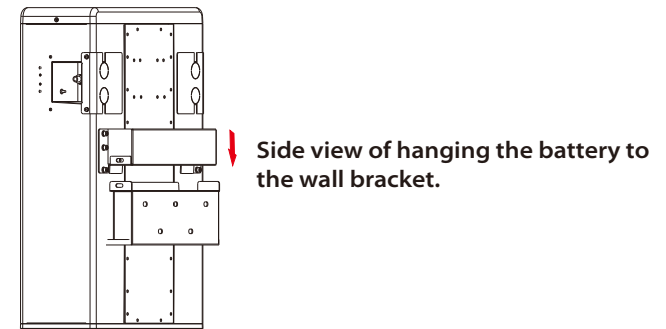
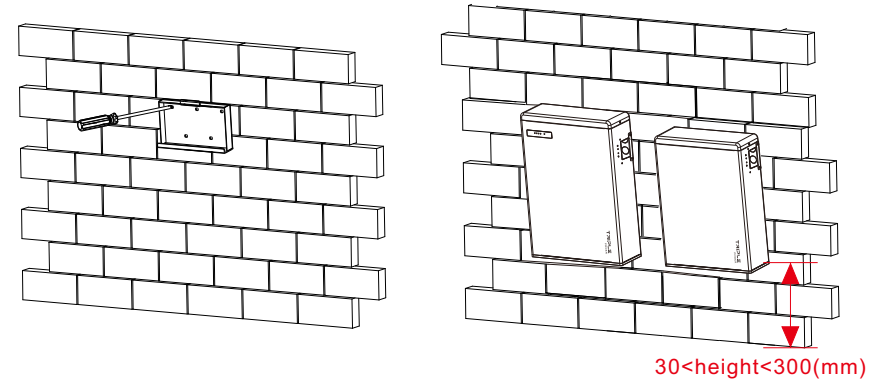
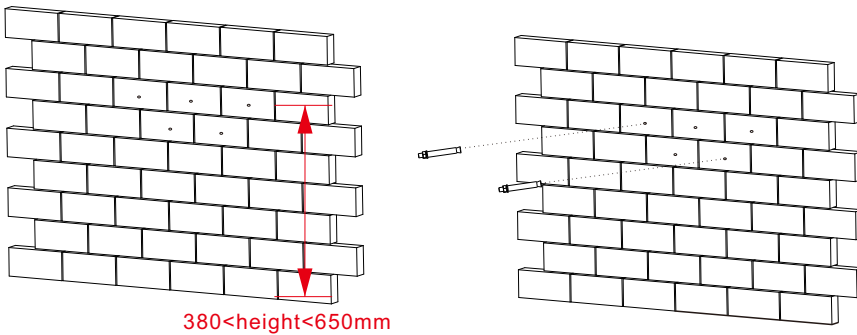
- Use the wall bracket as a template to mark the position of the 5 holes
- Drill holes with  $\phi 10$  drill, make sure the holes are deep enough (at least 50mm) for installing and tightening the expansion bolts (J or I1)
- Install the expansion bolts in the wall, and screw the bracket by using the wrench.

##### Step 2: Match the battery with the wall bracket

- Transport the battery to the wall bracket
- Hang the battery over the wall bracket, move the battery close to it, and match it on the wall bracket

**Step3:** Lock the joint between hanging board and wall bracket with M5 combinationscrew (I or H1).

**Note:** Keep the distance from installation point to the floor less than 650mm.

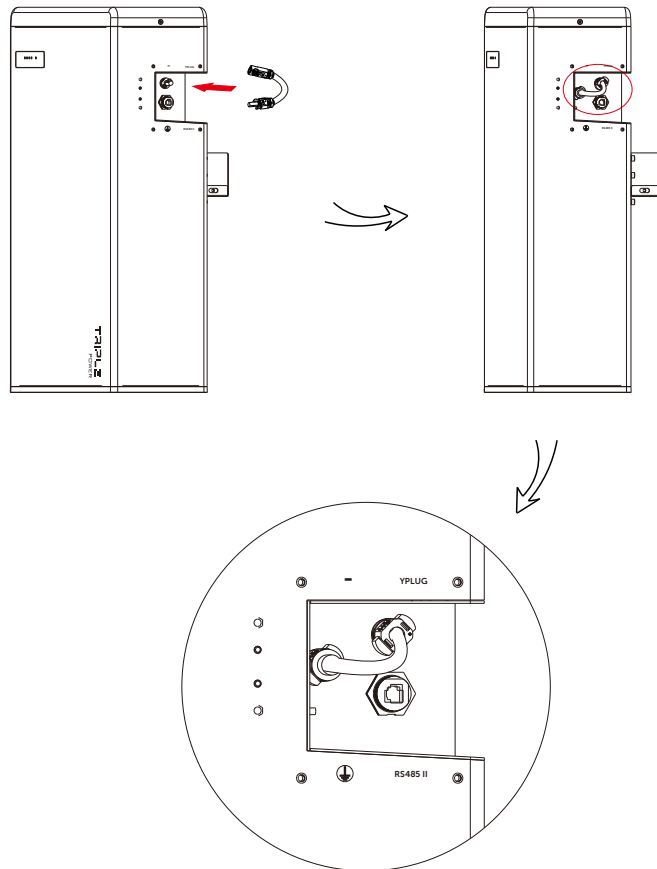


## 4.5 Cable Connection

### 4.5.1 Connecting Power Cables

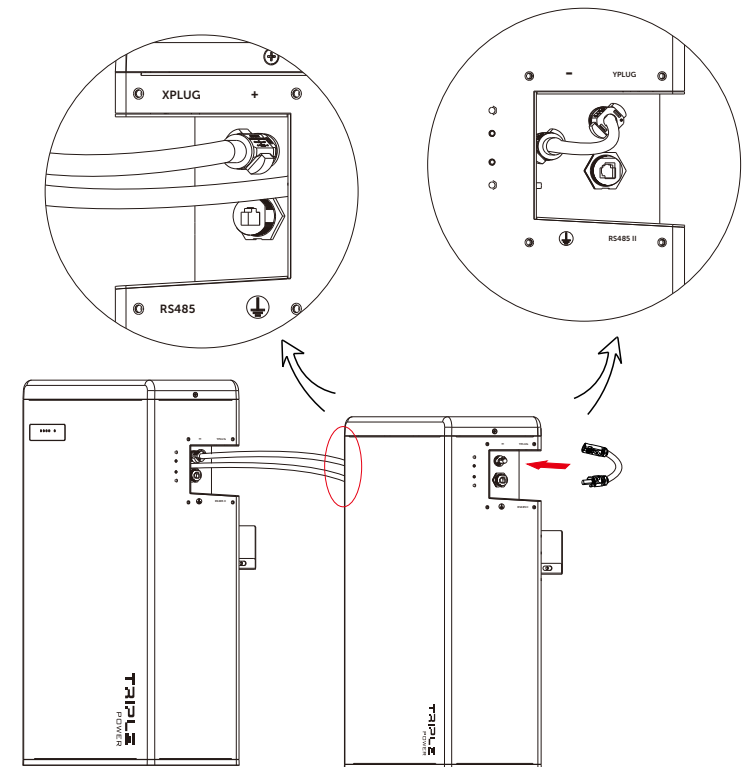
#### For T-BAT H 5.8:

1. The only step of connecting power cable for T-BAT H 5.8 is connecting the series-connected plug to “-” and “YPLUG” on the right side. The series-connected plug is used to make a complete circuit.



#### For T-BAT H 5.8 + 1~3 battery packs:

1. Connect “-” (V for T-BAT H 5.8 or VI for HV1 1550) on the right side to “+” (II) on the left side of the next battery pack.
2. Connect “YPLUG” (VI for T-BAT H 5.8 or VII for HV1 1550) on the right side to “XPLUG” (I) on the left side of the next battery pack.
3. The rest battery packs are connected in the same way.
4. Insert the series-connected plug at “-” and “YPLUG” on the right side of last battery pack to make a complete circuit.



#### 4.5.2 Connecting Power Lines

This step is going to connect power lines between Inverter and T-BAT system.

The default length of power lines are 2 meters, so customers can appropriately cut the cable according to the actual installation environment. As a result, each power line has one terminal block when leaving the factory, and customers need to connect the other end of terminal block by themselves.

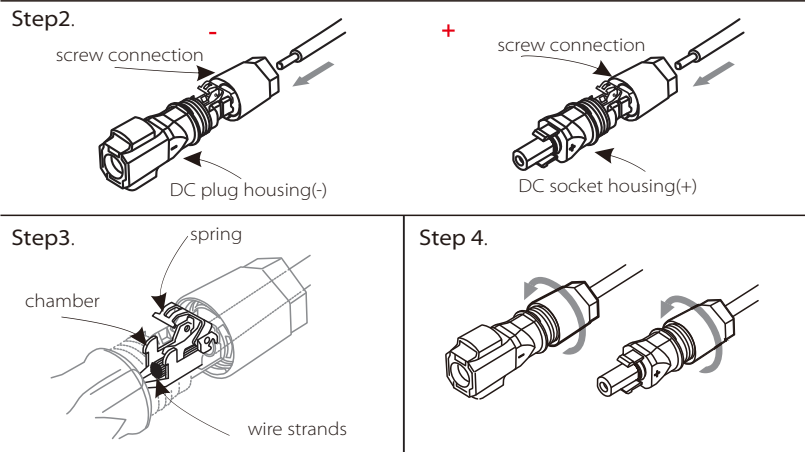
##### ➤ Cable Connection Steps:

**Step1.** Strip the cable to 15mm.

**Step2.** Insert the stripped cable up to the stop (negative cable for DC plug(-) and positive cable for DC socket(+)) are live). Hold the housing on the screw connection.

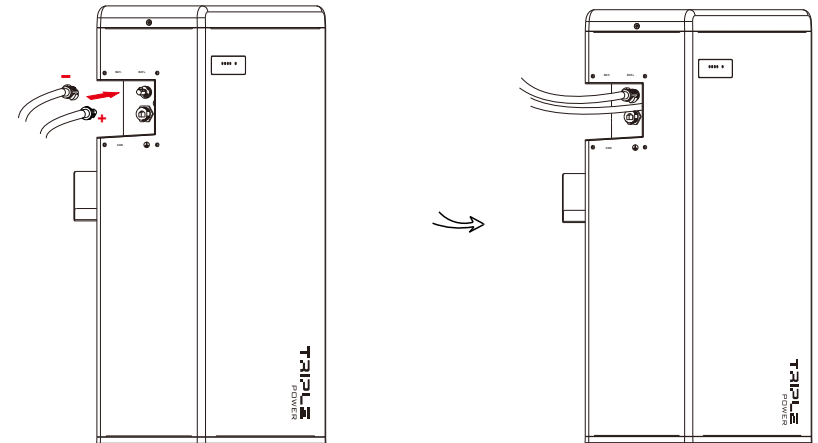
**Step3.** Press down spring until it clicks audibly into place (it must be possible to see the fine wire strands in the chamber)

**Step4.** Tighten the screw connection(tighten torque:2.0±0.2Nm)

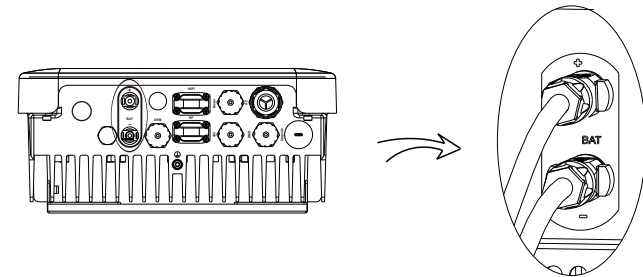


##### ➤ Connecting Charging Cables between Inverter and T-BAT System:

1. Connect the the positive cable (+) (A) and negative cable (-) (B) to the corresponding port as shown in the following figure.



2. Keep the Inverter off. Connect the other end of power lines (+,-) to the correct port on the Inverter.

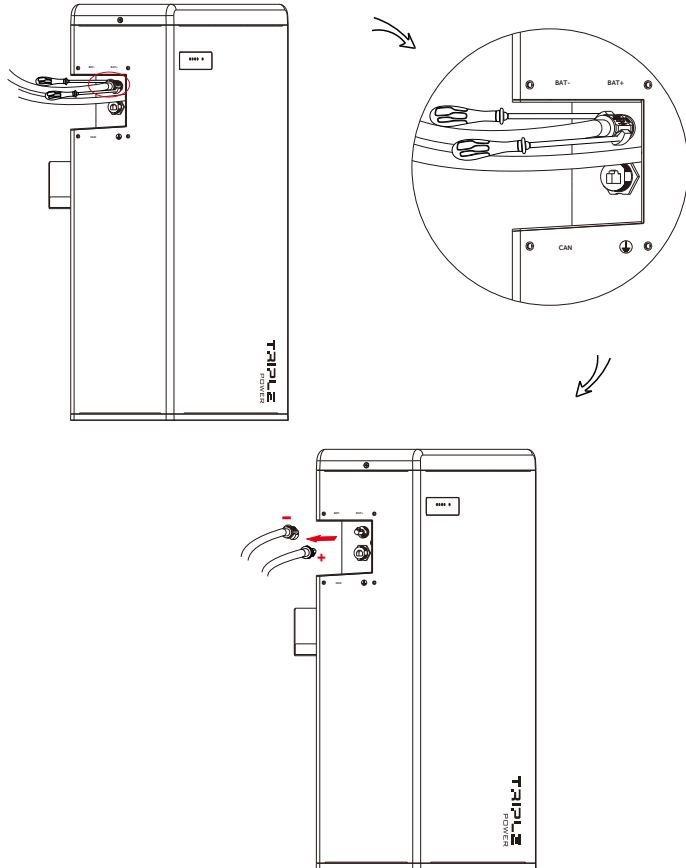


##### 👉 NOTE!

1. When connecting the cable to Inverter, fit the two connectors together until the connection audibly locks into place.
2. Check to make sure the connection is securely locked.
3. Don't shake both ends of the cable at the joint once the connection is locked.

### ➤ Disassembling Power Line (on BAT+, BAT-, "+", XPLUG port)

Disassemble the power line by plugging the slot type screwdriver to the terminal groove of charging cable. Please see the illustration as shown below:

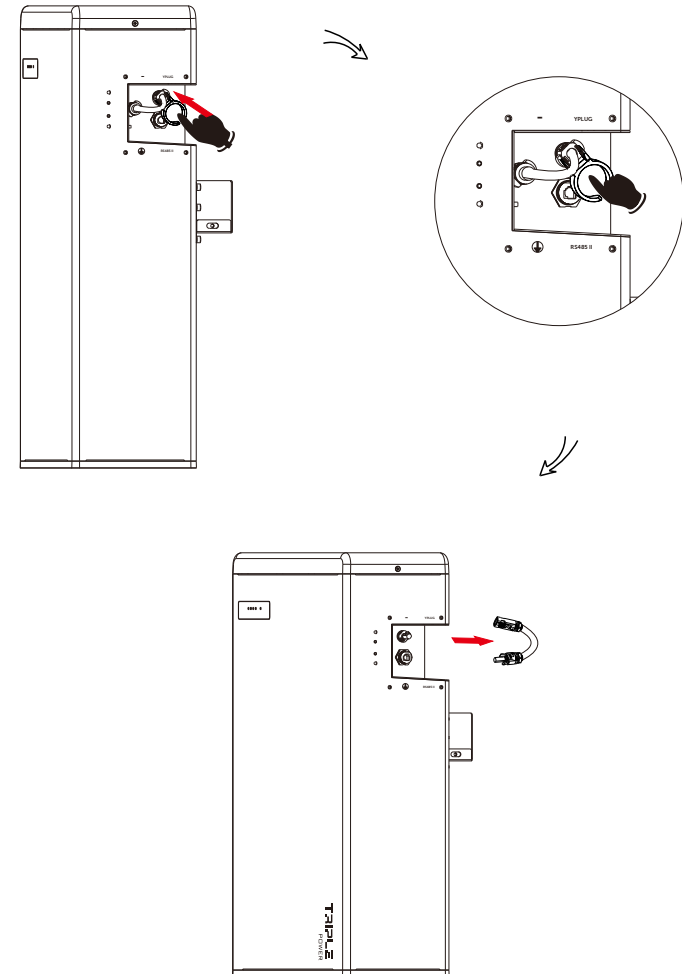


#### ⚠ CAUTION!

DO NOT disassemble power cables when the T-BAT system is not turned off, otherwise there will be an arc discharge that could cause serious injury!

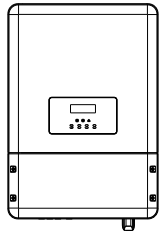
### ➤ Disassembling Power Cable (on "-", YPLUG port)

Disassemble the power line by plugging the Power cable disassembling tool(L) to the terminal groove of charging cable. Please see the illustration as shown below:

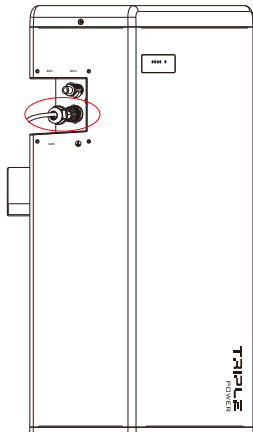


### 4.5.3 Connecting CAN Communication Cable

It is required for the BMS to communicate with the inverter for proper operation.

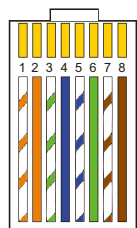
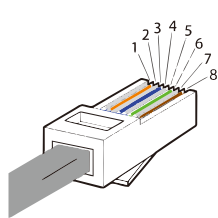


1. Insert one end of the CAN communication cable (C) which has no cable nut directly to the BMS port of the Inverter.



2. Connect the CAN communication cable to the CAN connector (II) which is marked in red. Insert the other end of the CAN communication cable to the CAN connector. Assemble the cable gland and screw the cable nut.

The wire order of the communication cable is as follows:



- 1) White with an orange stripe
- 2) Orange
- 3) White with a green stripe
- 4) Blue
- 5) White with a blue stripe
- 6) Green
- 7) White with a brown stripe
- 8) Brown

Sequence	1	2	3	4	5	6	7	8
<b>CAN</b>	/	GND	/	CAN_H	CAN_L	/	A1	B1

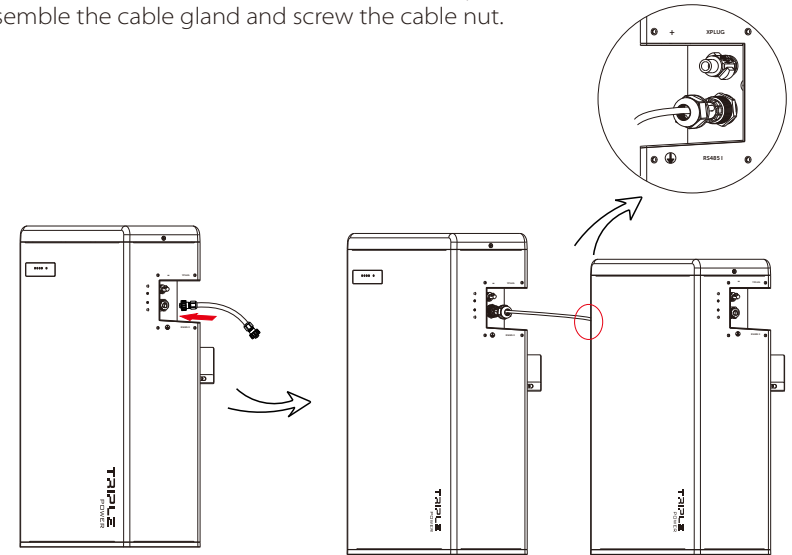
### 4.5.4 Connecting RS485 Communication Cable

**For T-BAT H 5.8:**

There's no need to use RS485 communication cable.

**For T-BAT H 5.8 + 1~3 battery packs:**

Connect RS485 II (VII for T-BAT H 5.8 or VIII for HV11550) of upper battery on the right side to RS485 I (III) of the follow-up battery pack which is on the left. Assemble the cable gland and screw the cable nut.

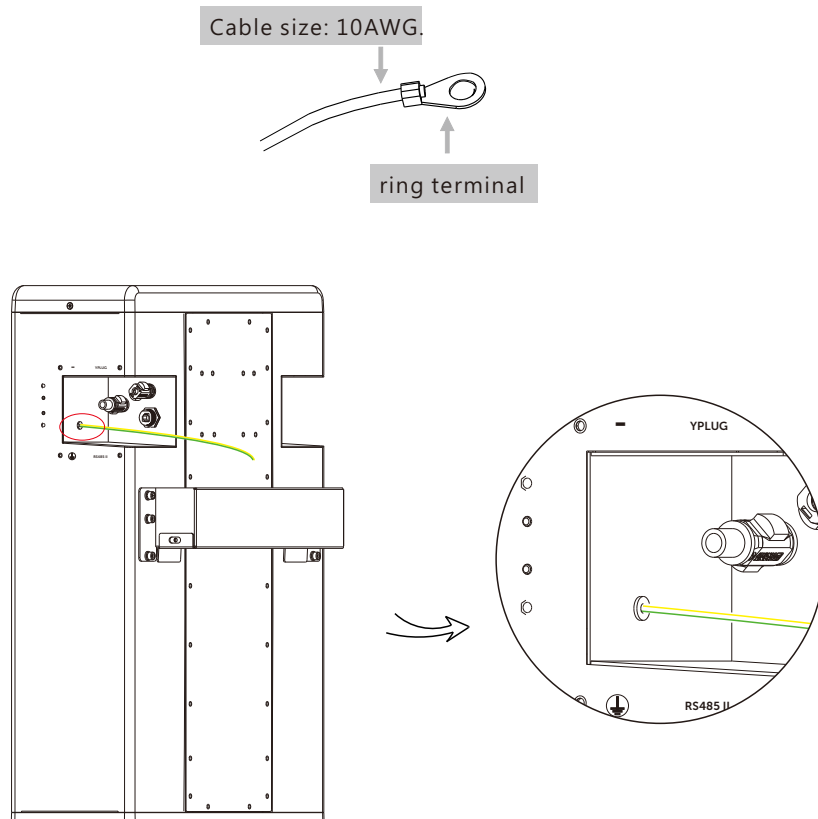


The wire order of the communication cable is as follows:

Sequence	1	2	3	4	5	6	7	8
<b>RS485I</b>	VCC_485	GND_485	B2	N-	P+	A2	VCC_485_2	GND_485
<b>RS485II</b>	VCC_485	GND_485	B2	N-	P+	A2	VCC_485_2	GND_485

#### 4.5.5 Connecting Ground Wire

The terminal point for GND connection is on the side of grooves as shown below:



#### ⚠ CAUTION!

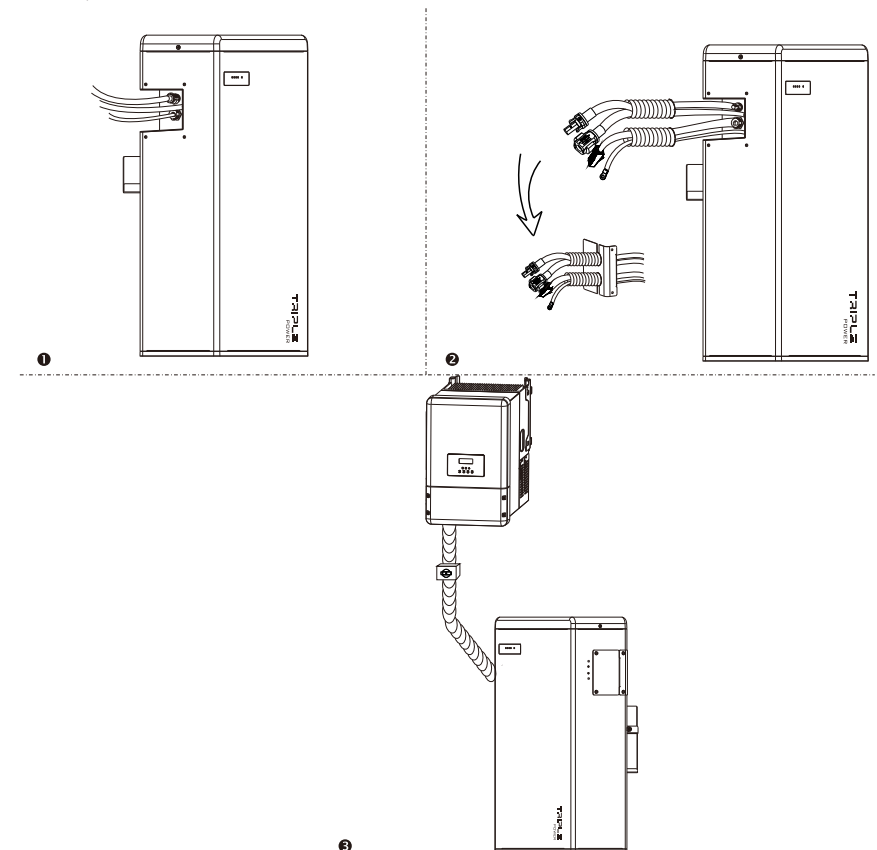
GND is mandatory!

#### 4.5.6 Overall Installation

It is recommended to protect the cables by using corrugated pipe.

##### For T-BAT H 5.8:

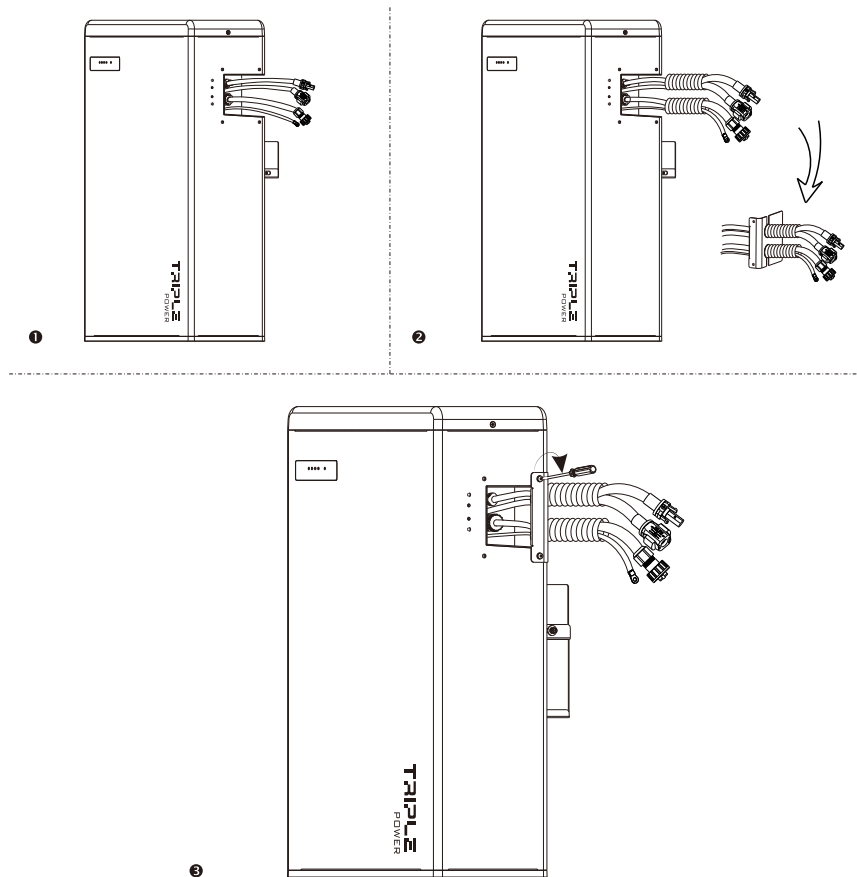
1. Connect all the cables on the left side of T-BAT H 5.8.
2. Get the cables through the corrugated pipe.
3. DO remember to insert the series-connected plug at "-" and "YPLUG" on the right side of T-BAT H 5.8 to make a complete circuit.
4. Set the cables into the groove of metal plates and screw them back to the battery pack on both sides.



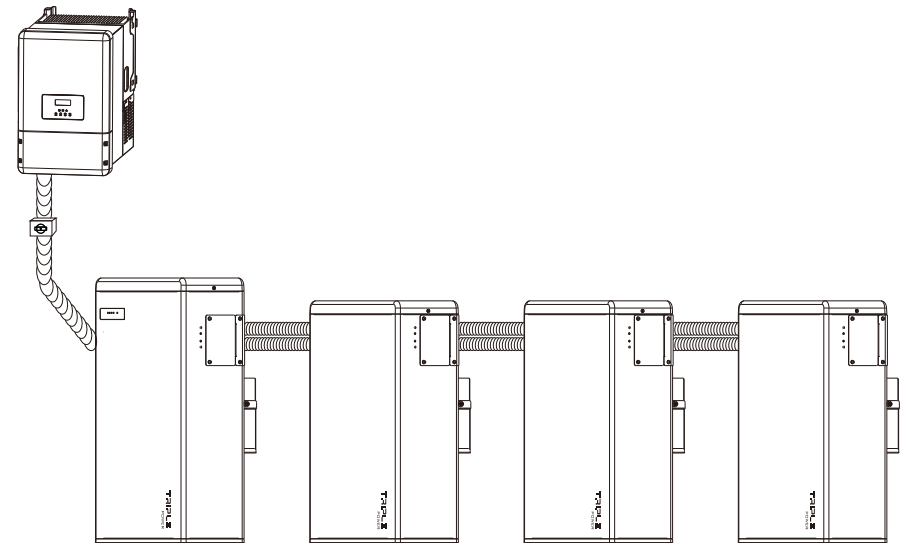


**For T-BAT H 5.8 + 1~3 battery packs:**

1. Connect the cables at one end of the T-BAT H 5.8/HV11550.
2. Get the cables through the corrugated pipe.
3. Set the cables into the groove of metal plates and screw them back to the battery pack on both sides.
4. DO remember to insert the series-connected plug at “-” and “YPLUG” on the right side of last battery pack to make a complete circuit.

**4.6 Overview of Installation**

The following diagram is a complete T-BAT system installation with T-BAT H 5.8 + three battery packs.

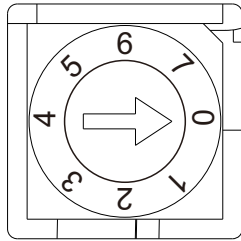
**CAUTION!**

One T-BAT system is allowed to install one T-BAT H 5.8 plus at most three battery packs. Connecting more than three battery packs will blow the fuse, and the battery pack will be damaged. Please make sure the number of battery packs meets the requirement.

## 5 Commissioning

### 5.1 Configuring Battery System

The DIP switch is used to configure the number of battery packs which are communicating to Inverter. The detailed configuration information is shown as follows:



Configuration activated by inverters

- 0- Matching T-BAT H 5.8 (default)
- 1- Matching T-BAT H 5.8 + 1\*HV11550
- 2- Matching T-BAT H 5.8 + 2\*HV11550
- 3- Matching T-BAT H 5.8 + 3\*HV11550

#### ➤ Black-start configuration

The black-start function is only used in the off-grid environment and there is no other power supply.

**Note: if the battery is started in black-start mode, although there is no BMS communication, the port still has high voltage and there is a risk of electric shock!**

After the black-start mode is started, if the BMS communication has still not been built within 3 minutes, the black start fails.

- 4- Matching T-BAT H 5.8
- 5- Matching T-BAT H 5.8 + 1\*HV11550
- 6- Matching T-BAT H 5.8 + 2\*HV11550
- 7- Matching T-BAT H 5.8 + 3\*HV11550

### 5.2 Commissioning

#### 👉 NOTE!

When powering on the BMS, the system will start self-testing. If the buzzer bips, it means DIP configuration fault or communication failure occurs. If the buzzer bips, please check if the number of battery packs is corresponding to the DIP configuration, and also check if the RS485 communication cables are correctly connected. After these two situations are checked OK, press the POWER button to power on, and press the POWER button again 10s later. In addition: The buzzer will only alarm on the corresponding fault during the power-on self-test. After the self-test is completed, it won't bip again even if the same fault occurs.

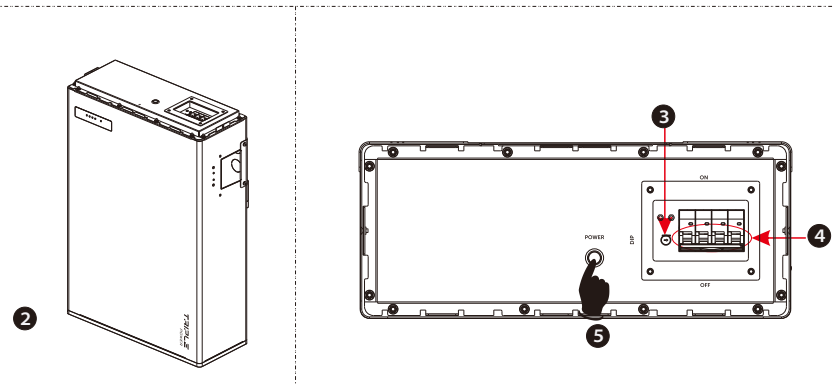
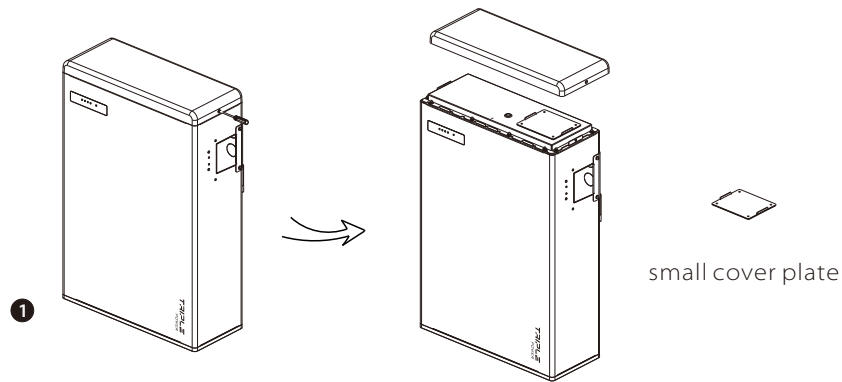
#### 👉 NOTE!

Frequently pressing the POWER button may cause the system error. Please make sure at least 10 seconds is needed when you are going to press the POWER button from the last pressing operation.

### Commissioning Steps

If all the battery packs are installed, follow these steps to put it in operation.

1. Remove the upper cover board of T-BAT H 5.8;
2. Remove the small cover plate;
3. Rotate the DIP to corresponding number with small tool according to the number of battery pack(s) that has(have) been installed;
4. Move the circuit breaker to the ON position;
5. Press the POWER button to turn on the T-BAT system;
6. Put the small cover plate back;
7. Reinstall the upper cover board to T-BAT H 5.8;
8. Power on the Inverter.



### 5.3 Status Indicators

The LED indicators on the front panel of the battery pack are showing the operating status.

#### 5.3.1 BMS

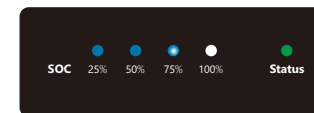


The following table shows the status of BMS.

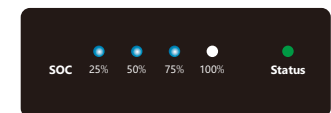
No.	Status of BMS	Mode
1	Light off	Power off
2	The Green LED is light on for 1s, and light off for 4s	Inverter sends Idle command
3	The Orange LED is light on for 1s, and light off for 4s	BMS Protection
4	The Red LED keeps light on for 10min, then flickers with light on for 1s, and light off for 4s	Fault
5	The Green LED is light on for 0.3s, and light off for 0.3s	Upgrade for BMS
6	The Green LED keeps light on	Active

The capacity indicators show the SOC:

- When the battery pack is neither charging nor discharging, the indicator lights off.
- When the battery pack is charging, part of the Blue LED is flashing with the frequency of light on for 0.5s, light off for 0.5s, and part of the Blue LED keeps light on. Take SOC 60% for instance, in charging state:
  1. The first two Blue LED indicators keeps on
  2. The third Blue LED indicator flashes once every 1s
- When the battery pack is discharging, the Blue LED is flashing with the frequency of light on for 1s, and light off for 4s. Take SOC 60% for instance, in discharging state:
  1. The first three blue LED indicators flash once every 5s



Charging



Discharging

### 5.3.2 Battery Pack



S1 and S2 represent independent status indicators. The status of S1 and S2 have the same meaning for battery pack in the following table.

Note: only when both S1 and S2 are flashing once every 5s in Green LED, it means the battery system is active.

No.	Status of battery pack	Mode
1	Light off	Power off/Sleep
2	The Green LED is light on for 1s, and light off for 4s	Active
3	The Orange LED is light on for 1s, and light off for 4s	Protection
4	The Red LED keeps light on for 10min, then flickers with light on for 1s, and light off for 4s	Fault
5	The Green LED is light on for 0.3s, and light off for 0.3s	Upgrade for BMS

#### NOTE!

After powering off the BMS, the LED lights of S1 and S2 will keep flashing in 20 minutes.

## 5.4 Shutting Down T-BAT System

To shut down the system, follow the steps described below:

1. Turn off the breaker between Inverter and battery pack;
2. Open the upper cover board;
3. Power off the BMS;
4. Turn off the system by moving the circuit breaker switch to the OFF position;
5. Make sure that every indicator on the T-BAT system is off;
6. Disconnect the cables.

## 6 Troubleshooting

### 6.1 Troubleshooting

Check the indicators on the front to determine the state of the T-BAT system. A warning state is triggered when a condition, such as voltage or temperature is beyond the design limitations. The T-BAT system's BMS periodically reports its operating state to the inverter.

When the T-BAT system falls outside prescribed limits, it enters a warning state. When a warning is reported, the inverter immediately stops operation.

Use the monitoring software on the inverter to identify what caused the warning. The possible warning messages are as follows:

Warning Messages	Description	Troubleshooting
BMS_External_Err	The communication between BMS and Inverter is interrupted	Check if the communication cable between BMS and Inverter is correctly and well connected.
BMS_Internal_Err	1. DIP switch at the wrong position; 2. The communication between battery packs is interrupted	1. Move the DIP switch to the correct position; 2. Check if the communication cable between battery packs is correctly and well connected.
BMS_OverVoltage	Battery over voltage	Please contact SolaX after-sales service or your distributor directly.
BMS_LowerVoltage	Battery under voltage	Please contact SolaX after-sales service or your distributor directly.
BMS_ChargeOCP	Battery charge over current protection	Please contact SolaX after-sales service or your distributor directly.
BMS_DischargeOCP	Battery discharge over current protection	Please contact SolaX after-sales service or your distributor directly.

Warning Messages	Description	Troubleshooting
BMS_TemHigh	Battery over temperature	Wait till the temperature of cells go back to the normal state.
BMS_TemLow	Battery under temperature	Wait till the temperature of cells go back to the normal state.
BMS_CellImblance	The capacities of cells are different	Please contact SolaX after-sales service or your distributor directly.
BMS_Hardware_Protect	Battery hardware under protection	Please contact SolaX after-sales service or your distributor directly.
BMS_Insulation_Fault	Battery insulation fault	Please contact SolaX after-sales service or your distributor directly.
BMS_VoltSensor_Fault	Battery voltage sensor fault	Please contact SolaX after-sales service or your distributor directly.
BMS_TempSensor_Fault	Battery temperature sensor fault	Please contact SolaX after-sales service or your distributor directly.
BMS_CurrSensor_Fault	Battery current sensor fault	Please contact SolaX after-sales service or your distributor directly.
BMS_Relay_Fault	Battery relay fault	1. Make sure the power cable is correctly and well connected to the power connector (XPLUG) of the BMS; 2. If the first step still does not work, please contact SolaX after-sales service or your distributor directly.
BMS_SelfChk_Fault	BMS selfcheck fault	Please contact SolaX after-sales service or your distributor directly.

Warning Messages	Description	Troubleshooting
BMS_CellTempDiff_Fault	The temperature between cells are different	Stop charging or discharging for a while.
BMS_CapMismatch_Fault	The capacity of battery packs are different	Please contact SolaX after-sales service or your distributor directly.
BMS_SlaveSwVer_Mismatch_Fault	The software between slavers are different	Please contact SolaX after-sales service or your distributor directly.
BMS_SlaveSw&HwMismatch_Fault	The hardware is different	Please contact SolaX after-sales service or your distributor directly.
BMS_Manu_Mismatch_Fault	The cell manufacture is different	Please contact SolaX after-sales service or your distributor directly.
BMS_MasterSw&SlaveSwMismatch_Fault	The software between Master and Slaver are different	Please contact SolaX after-sales service or your distributor directly.
BMS_ChgReqNoAck_Fault	No action for charging request	Check the information from Inverter.

## **7 Decommissioning**

### **7.1 Dismantling the Battery**

Shutting down T-BAT system

Disconnect the cables between BMS and Inverter

Disconnect the series wiring terminal on the ended battery.

Disconnect the other cables.

### **7.2 Packing**

Please pack the BMS and battery packs with the original packaging.

If it is no longer available, you can also use an equivalent carton that meets the following requirements.

- Suitable for loads more than 70kg
- With handle
- Can be fully closed